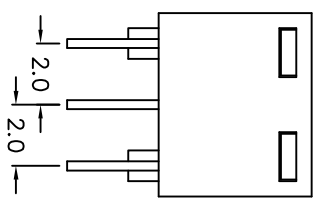
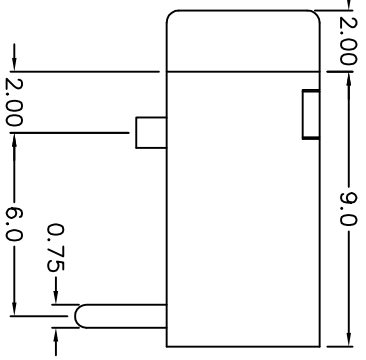
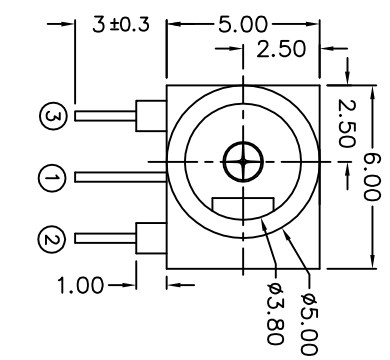
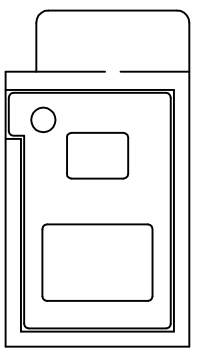


| C    |        | B                  |          | A          |  |
|------|--------|--------------------|----------|------------|--|
| ZONE | SYMBOL | REVISION           | APPROVAL | DATE       |  |
|      |        | DWG. NO. TO REVISE | S.T.CHU  | 10-10-2003 |  |
|      |        |                    |          |            |  |
|      |        |                    |          |            |  |

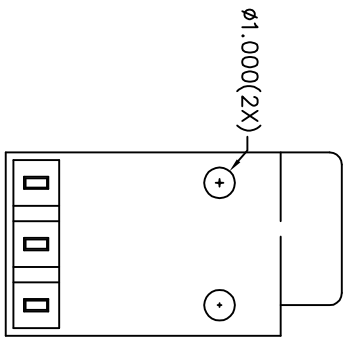
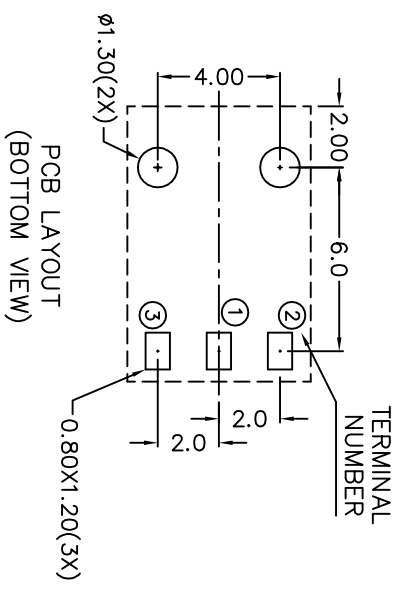


|            |         |
|------------|---------|
| MODEL NO.  | TDC-022 |
| SCHEMATIC  |         |
| CENTER PIN | φ1mm    |
|            | φ1.5mm  |

\* MATERIAL  
 TERMINAL 1 : BRASS  
 TERMINAL 2 : COPPER ALLOY  
 TERMINAL 3 : BRASS  
 HOUSING : PA66  
 COVER : PA66

**SPECIFICATIONS**

- 1 Insulation resistance of adjacent open terminals shall not be less than 50 Megohms when measured with 500 Volts resistance meter.
- 2 Connector shall withstand 500 Volts (RMS) between adjacent open terminal for one minute.
- 3 Contact resistance of normally closed terminals shall not exceed 0.03 ohms when measured at a current of one Ampere by Voltage drop method.
- 4 Connector shall withstand 5,000 cycles of insertions and withdrawal with testing plug, contact resistance shall not exceed 0.1 ohm.



|  |  |           |                 |                      |            |       |    |  |  |
|--|--|-----------|-----------------|----------------------|------------|-------|----|--|--|
|  |  | PART NAME | DC POWER SOCKET | TOLERANCE UNLESS     | 0.0±0.2    | UNIT: | mm |  | DESIGN J.M.KWAN DATE 10-10-2003 SCALE 4:1<br>DRAWING J.M.KWAN DATE 10-10-2003 MATERIAL *<br>CHECK DATE<br>APPROVAL DATE DWG. NO. TZ\DC022-PA66 SHEET |
|  |  | PART NO.  | TDC-022         | OTHERWISE SPECIFIED: | 0.000±0.05 |       |    |  |  |

1  
2  
3  
4

1  
2  
3  
4